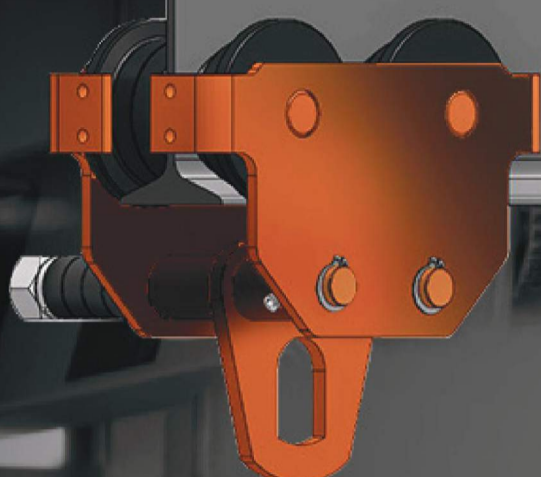
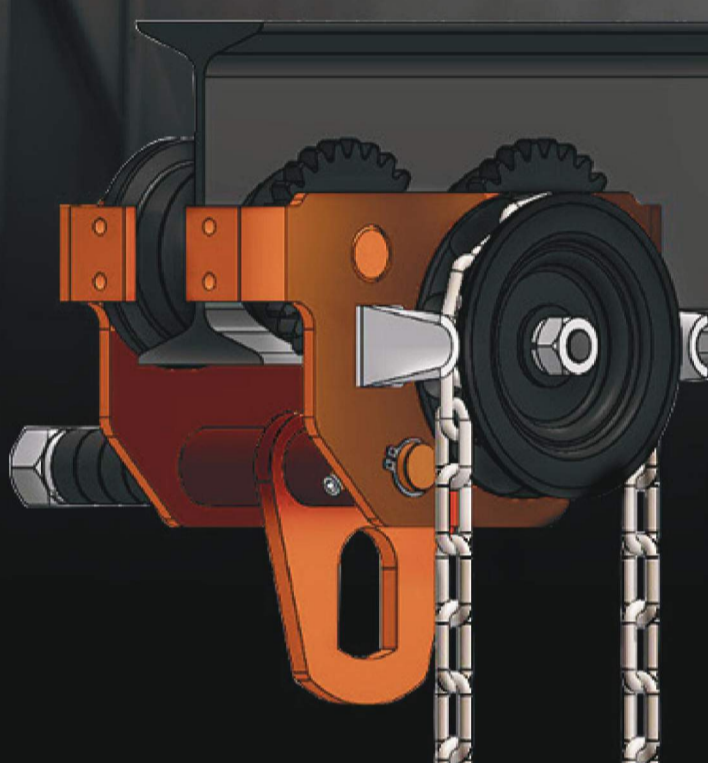


Monorail Travelling Trolley

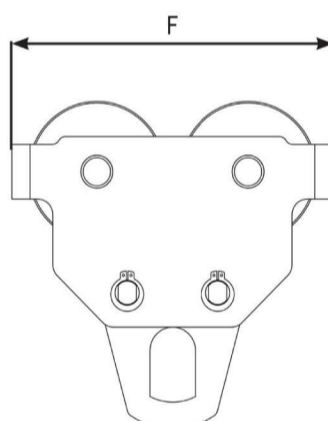
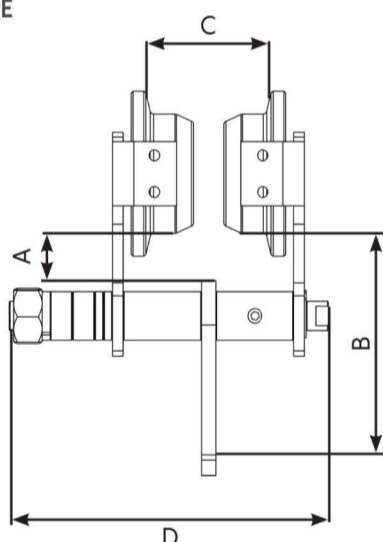
Push Pull Type



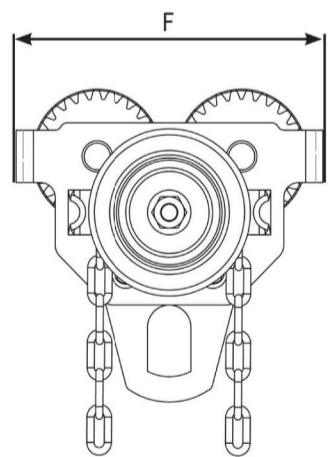
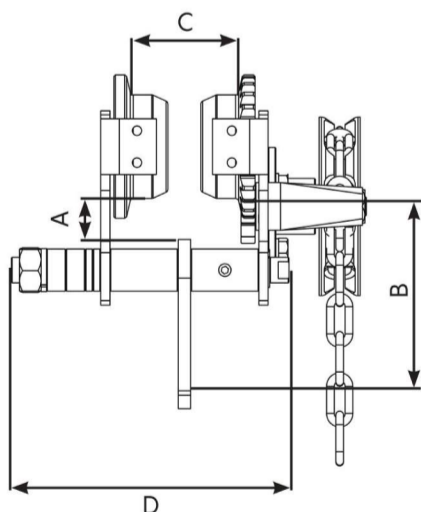
Geared Type



• PUSH PULL TYPE



• GEARED TYPE



TECHNICAL SPECIFICATION

MONORAIL TRAVELLING TROLLEY

	PUSH PULL TYPE				GEARED TYPE			
Model	PPT1	PPT2	PPT3	PPT5	GBT1	GBT2	GBT3	GBT5
Capacity (Ton)	1	2	3	5	1	2	3	5
I-Beam recommended (mm)	65-125	75-140	100-150	100-180	65-125	75-140	100-150	100-180
Dimension A (mm)	24	24	28	32	24	24	28	32
Dimension B (mm)	120	130	164	190	120	130	164	190
Dimension C (mm)	70	80	112	112	70	80	112	112
Dimension D (mm)	202	228	250	286	202	228	250	286
Dimension E (mm)	-	-	-	-	252	280	292	350
Dimension F (mm)	212	256	300	360	212	256	300	360
Net Weight (Kg)	9	13	20	38	11	16	26	48
Hand Chain (ØXpitch) (mm)	5X24	5X24	5X24	5X24	5X24	5X24	5X24	5X24

Note :- Due To Continuous development and improvement specification listed above may be changed without notice.